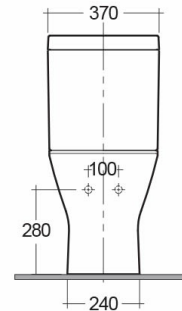
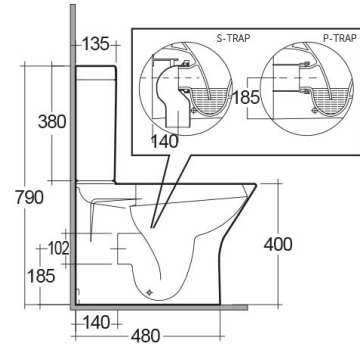
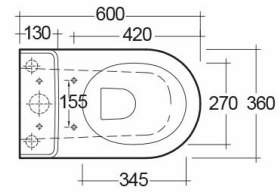


# RAK-RESORT

## Close Coupled | Water Closet

**RAK**  
CERAMICS



### Technical specifications

Dimensions:	600 x 360 mm
Weight:	38 Kg
Color:	Alpine White
Trap type:	P Trap & S Trap
Trapway type:	Concealed
Seat cover options:	Urea
Bowl shape:	Oval
Soft close:	yes
Quick remove seat cover:	yes
Dual flush:	yes
Suites:	<a href="#">RAK-RESORT</a>

Code	Name
REWC00005	RESORT WATER CLOSET RIMLESS CLOSE COUPLED BACK TO WALL P S-TRAP 60CM
REWT00001	RESORT WATER CLOSET TANK

Dimensions: All dimensions in mm tolerance  $\pm 5\%$  for below 200mm and  $\pm 3\%$  for above 200mm.  
 Note: Due to a continuing development programme to improve design and performance, the manufacturer reserves all rights to vary specifications without prior information.  
 Please note accessories are for photographic use only.